

# EL<sup>®</sup>MARK

The Brand of Electricity

## LED FLOODLIGHT VEGA SLIM WHITE



### GENERAL INFORMATION »

- ∴ Rated voltage: 220-240V/ 50-60Hz
- ∴ Power: 10W; 20W; 30W; 50W; 100W
- ∴ LED driver: Linear- mounting in the body
- ∴ Colour temperature: 4000K
- ∴ Light source: SANAN
- ∴ Colour: White
- ∴ Body: Plastic+ Aluminium
- ∴ Cable length: 300mm
- ∴ Beam angle: 110°
- ∴ Colour rendering index: Ra > 70
- ∴ Average lifetime: 20 000h
- ∴ Ambient temperature: -30°C ÷ +65°C
- ∴ Protection against dust and moisture: IP65
- ∴ Available in variant with an emergency kit

### FEATURES »

- ∴ Efficient replacement of traditional halogen and metal-halide floodlights
- ∴ Wide distribution of even and stable light
- ∴ Economic - low power consumption
- ∴ Repeated switch on/off does not affect the fixture lifespan
- ∴ Instant light at maximum luminous flux
- ∴ Environmentally friendly - no mercury and lead
- ∴ No ultraviolet and infrared rays
- ∴ Resistant to shock and vibration stable body
- ∴ Voltage supply fluctuations do not affect the normal

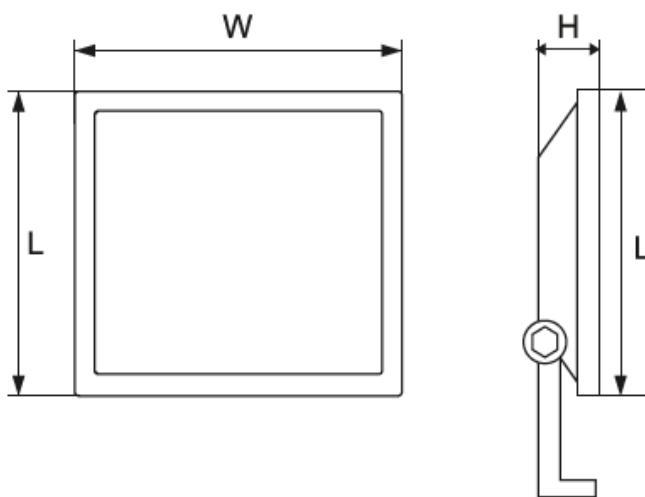
## APPLICATION »

- ∴ Sports halls
- ∴ Commercial areas
- ∴ Warehouses
- ∴ Production facilities
- ∴ Squares
- ∴ Parking lots

## PRODUCT DETAILS »

Catalogue number	Catalogue number with Emergency kit	Watt (W)	Whole fixture lumens (lm)	Colour temp (K)	Colour body
98VEGA10SLIM/WH	-	10	900	4000	white
98VEGA20SLIM/WH	-	20	1800	4000	white
98VEGA30SLIM/WH	98VEGA30S/WHE	30	2700	4000	white
98VEGA50SLIM/WH	98VEGA50S/WHE	50	4500	4000	white
98VEGA100SLIM/WH	98VEGA100S/WHE	100	9000	4000	white

## DIMENSIONS »



Model	Length (mm)	Height (mm)	Width (mm)
98VEGA10SLIM/WH	66	18	90
98VEGA20SLIM/WH	75	21	110
98VEGA30SLIM/WH	95	22	130
98VEGA50SLIM/WH	132	25	186
98VEGA100SLIM/WH	190	28	280

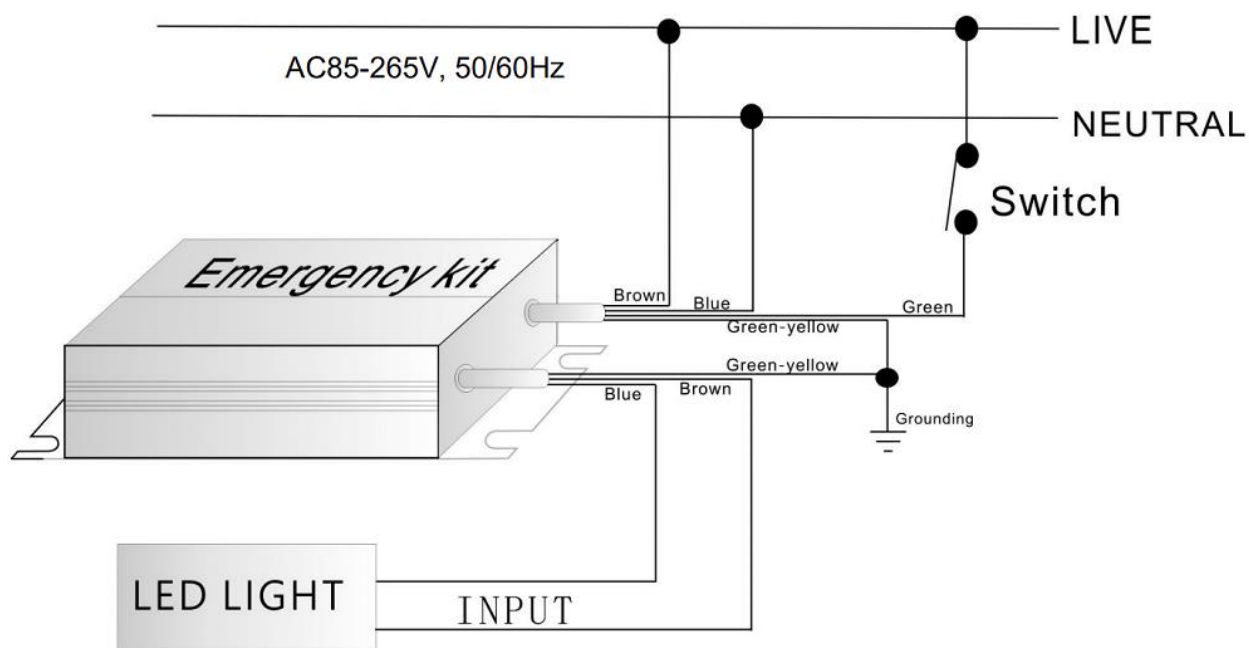
## EMERGENCY DRIVER SPECIFICATIONS »



### Technical data:

- ∴ Input voltage: 85-265V AC
- ∴ Battery: 18.5V 8800mAh
- ∴ Emergency switch time: <5s
- ∴ Suitable: for LED lamp with internal driver and power 20-100W
- ∴ Emergency time: 60-120min
- ∴ Working temperature: from -10 to +50°C
- ∴ Size: 290x105x50mm
- ∴ IP44

### Wiring diagram:



## INSTALLATION ACCESSORIES »

### Terminal box IP44

- ∴ Material: PC
- ∴ Voltage: 450V
- ∴ Rated current: 6A
- ∴ Wiring Capacity: 0.5-4.0mm<sup>2</sup>
- ∴ Cat. Number: **31071**



### Terminal box IP65

- ∴ Material: Polypropylene 94-V2 grade
- ∴ Sunscreen Rating: Sun Protection(UV)
- ∴ Voltage: 450V
- ∴ Rated current: 10A
- ∴ Terminal Blocks: 3p screw type
- ∴ Metal Part: Plated Brass/Steel Spring
- ∴ Wiring Capacity: 0.5-2.5mm<sup>2</sup>
- ∴ Cat. Number: **31070**





### Cable connector IP68

- ∴ Rated operational voltage:AC250V
- ∴ Rated operational Ampere(A):≤30A
- ∴ Material: flame retardant/Anti UV nylon(PA66)
- ∴ Crimping terminals: Nickle-plated brass
- ∴ Withstand voltage (normal temperature):3KV
- ∴ Operating temperature range: -40°C~+105°C
- ∴ Wiring Capacity: 0.5-2.5mm<sup>2</sup>
- ∴ Cat. Number: **31072**




ADDITIONAL INFORMATION »



98VEGA10SLIM/WH



This luminaire contains built-in LED lamps.



The lamps cannot be changed in the luminaire.

874/2012


Catalogue number	Barcode	Packing/Box (pcs)
98VEGA10SLIM/WH	3800131214744	1/40
98VEGA20SLIM/WH	3800131214751	1/40
98VEGA30SLIM/WH	3800131214768	1/20
98VEGA50SLIM/WH	3800131214775	1/20
98VEGA100SLIM/WH	3800131214782	1/10

